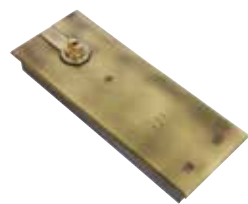


# TS.7000 Floor Springs

PROJECT RANGE



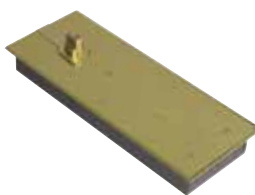
Temperature Stable hydraulic Oil can be used in temperatures from -30°C to +60°C.



Antique Brass (AB)



Satin Stainless Steel (SS)



Polished Brass (PB)

## Product Overview

- ✓ Enhanced power but easy to use Cam & Roller action mechanism.
- ✓ Available in three power sizes – EN2/3/4
- ✓ Renown for its Adaptability, Reliability and Adjustability
- ✓ Temperature stable hydraulic oil – used between -30°C - +60°C
- ✓ Easy to read instructions, saving over 12 minutes of fitting time



## Specification Overview



Fire Tested up to  
240 mins (metal door)  
120 mins (wood door)



Max Door Weight  
7002-70kg (16Nm)  
7003-105kg (19Nm)  
7004-150kg (25Nm)



Opening Angle  
130°



Max Door Width  
7002-850mm  
7003-950mm  
7004-1150mm



Adjustable  
Closing Speed



Universal  
Application



Power Size  
EN2, 3, 4



Adjustable  
Latch Speed



Back Check

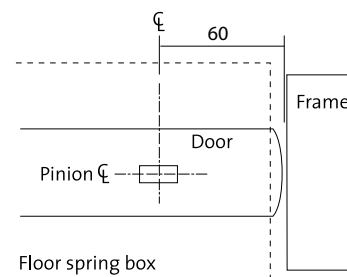
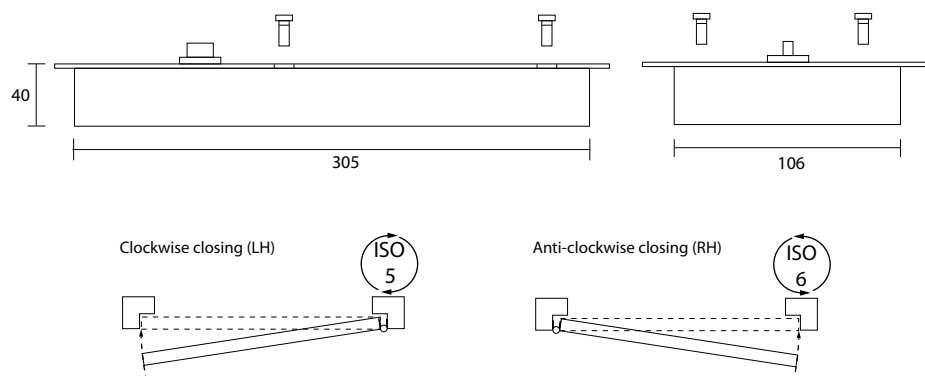


Guarantee



7000CPR01.07.13

All dimensions shown are in mm.



## Technical Information

### BS EN 1154 Classification

TS7000 door closers have been independently tested to conform with the EN 1154 performance standard. They are CE marked and classified as follows:

3 8 3 1 1 3

### BS EN 1634 Fire Test

TS7000 closers have been tested to EN 1634 Test certificates are available on request.

### UL Listed

The TS.7000 has been certified and labelled to the Underwriters' Laboratories (UL) testing, inspection, certification, auditing and validation.

### FIRE DOORS

Intumescent **MUST** be used on fire doors – please enquire for latest testing details.

## Options

- EN2 (7002)

*Note: Push or pull slide of the door subject to rebate distances  
Options not covered by CE.*

## Other Benefits

- Accessory pack available
- Single or double action arms available
- SSS, PB & AB finishes available
- Drive spindles: 3, 5, 8, 10, 13, 15, 18, 23, 28, 33, 48mm