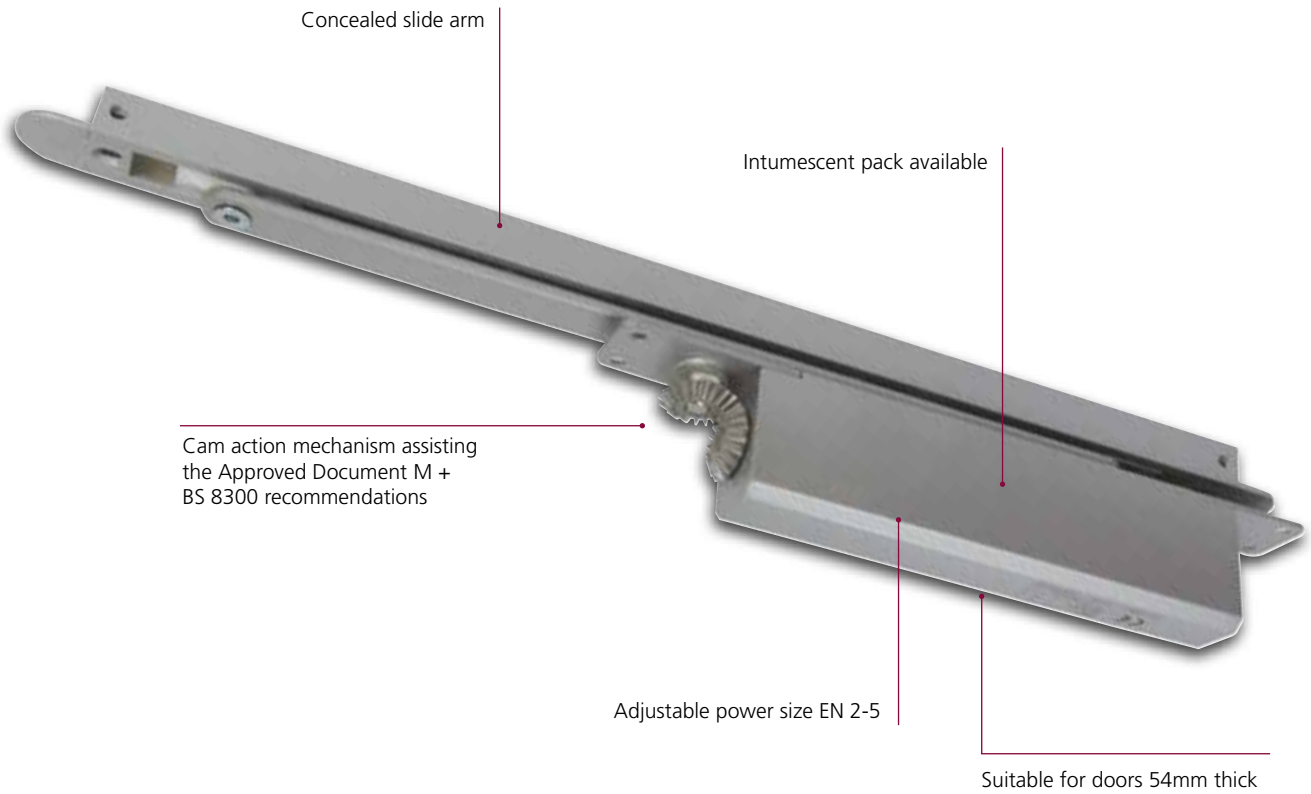


ITS.11205

DESIGNER RANGE

Concealed Slide Arm



#DesignerDoorCloserthatLast



Silver (SE)



Satin Nickel Plate (SNP)



Polished Nickel Plate (PNP)



Electro Brass (PVD)



Antique Brass (AB)

Product Overview

The Rutland ITS.11205 concealed door closer with cam and roller mechanism makes it an easy to open door closer helping to get persons through doorways. Also assists with Document M of the building regulations and the BS 8300 recommendations. This very slim, non-handed EN2-5 power adjustable door closer is suitable for a variety of metal and timber doors for use in projects such as hospitals, care homes, schools, colleges and other areas. Also helps in areas subject to vandalism as the unit is fully concealed when the door is closed.

✓ Easy to read instructions, saving over 12 minutes of fitting time



Specification Overview



Fire Tested
up to 60 mins



Max Door Weight
up to 110kg



Opening Angle
120°



Max Door Width
1250mm



Min Door
Thickness 54mm



Adjustable
Closing Speed



Universal
Application



Power Size
EN2-5



Adjustable
Latch Speed



Guarantee



Rut Lock

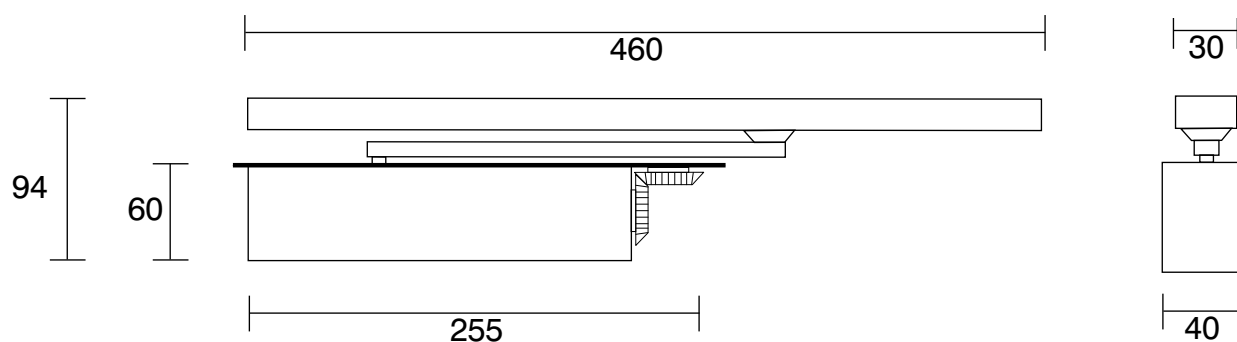


ITS 11205CPR44-
0316-17-02



Min Door
835mm

All dimensions shown are in mm.



Technical Information

BS EN 1154 Classification

ITS.11205 door closers have been independently tested to conform with the EN 1154 performance standard. They are CE marked and classified as follows:

3 8 $\frac{5}{2}$ 1 1 3

BS EN 1634 Fire Test

ITS.11205 closers have been tested to EN 1634 requirements up to 60 minutes – please specify intumescent gasket IP.115. Test certificates are available on request.

ADA Compliant

Fire doors shall have a minimum opening force allowable by the appropriate administration authority, and doors other than fire doors 5 pounds maximum opening force (22.2N) from push or pull side.

FIRE DOORS

Intumescent **MUST** be used on fire doors – please enquire for latest testing details.

Options

- Mechanical hold open slide rail (*Not to be used on fire doors*) (not covered by CE)
- EN2 (not covered by CE)
- Cushion stop